

TECHNICAL DATA SHEET

ACEMST1.1

Product Class EN 60601-2-41	I
Max. light power	60,000 LUX @ 50 cm
Light adjustment	FROM 0% TO 100%
Light field diameter (d10)	26 cm
Colour temperature, CCT	4,500 K
Colour rendering index (Ra)	98
LED average life	60,000 h ABOUT
Voltage	100-240 Vac- 50/60 Hz
Low DC voltage version	24 Vdc
Power consumption	10 VA
Light head diameter	18 cm
Light head and arm weight	1 Kg
Trolley weight	3 Kg
Colour matching	White RAL 9010 / RAL 7016*

ACEMST1.3

Product Class EN 60601-2-41	I
Max. light power	100,000 LUX @ 50 cm
Light adjustment	FROM 0% TO 100%
Light field diameter (d10)	26 cm
Colour temperature, CCT	FROM 3,000 K TO 5,500 K
Colour rendering index (Ra)	98
LED average life	60,000 h ABOUT
Voltage	100-240 Vac- 50/60 Hz
Low DC voltage version	24 Vdc
Power consumption	12 VA
Light head diameter	18 cm
Light head and arm weight	1 Kg
Trolley weight	3 Kg
Colour matching	White RAL 9010 / RAL 7016*

E. & OE.

Photometric Values $\pm 10\%$

*Colour range available for both models:

White RAL 9010 / RAL 6019

White RAL 9010 / RAL 5024

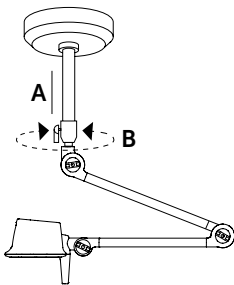
White RAL 9010 / RAL 4003

White RAL 9010 / RAL 7035

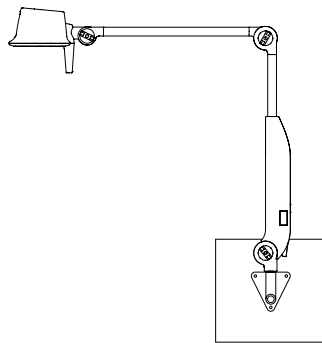
ACEMST1 IS AVAILABLE IN THE FOLLOWING VERSIONS

A = FROM 600 mm
TO 1,100 mm

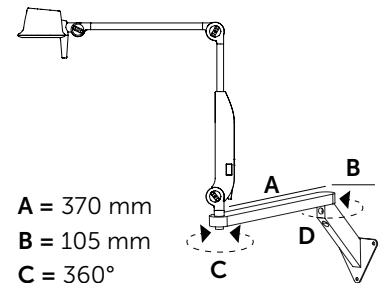
B = 330°



CEILING MOUNTED



WALL MOUNTED



A = 370 mm
B = 105 mm
C = 360°
D = 180°

WALL EXTENSION ARM

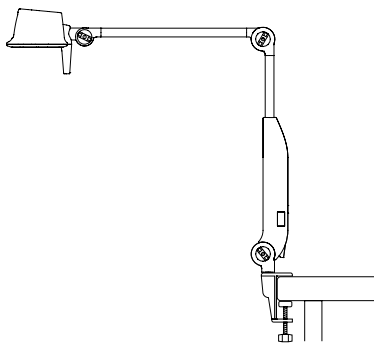
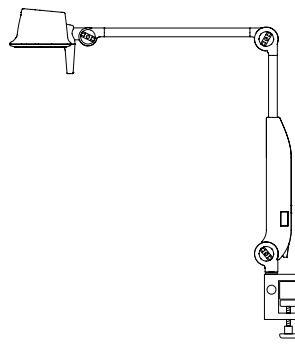
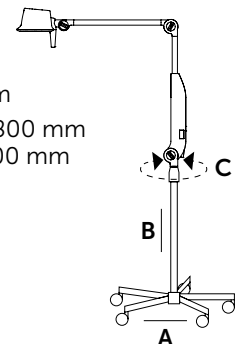


TABLE MOUNTED



RAIL MOUNTED



A = 680 mm
B = FROM 800 mm
TO 1,300 mm
C = 360°

TROLLEY MOUNTED



ACEM SPA | VIA DELLA TECNICA 29, 40050 - ARGELATO, BOLOGNA - ITALY
PH +39 051 721844 | FAX +39 051 721855 | info@acem.it | WWW.ACEM.IT

ACEM RESERVES THE RIGHT TO MODIFY THE DESIGN AND SPECIFICATIONS
CONTAINED HEREIN WITHOUT ANY PRIOR NOTICE - DEP.ACEMST1.EN r1901

